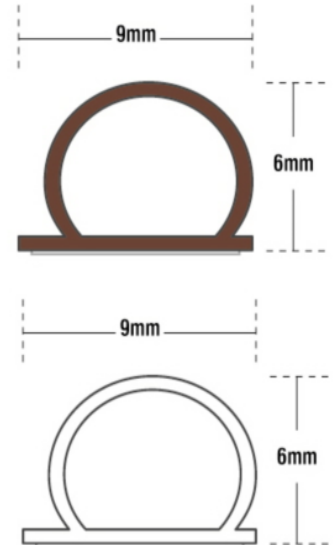
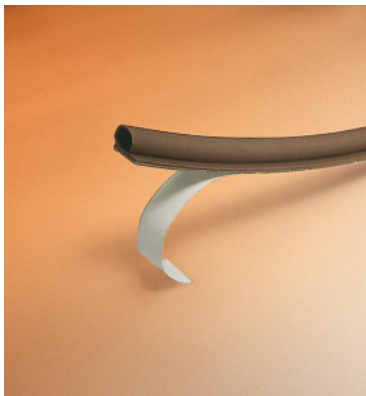


## DATA SHEETS

# MWS 11 Special-Seal Weather Seal



Moroday Products P/L  
10 Crawford Street  
P.O. Box 276  
Braeside, 3195  
Victoria, Australia  
Telephone: (03) 9588 6880  
Facsimile: (03) 9588 6890  
e-mail - [info@moroday.com.au](mailto:info@moroday.com.au)  
[www.moroday.com.au](http://www.moroday.com.au)



- **MWS 11 Special-Seal Weather Seals**

- **Codes:** 1-12305 Brown 100M Mini-Spool, 1-12112 Brown 5M Retail Pack  
1-11305 White 100M Mini-Spool, 1-11112 White 5M Retail Pack  
1-12176 Brown 15M Blister Pack, 1-11176 White 15M Blister Pack

- **Product Features:**

The MWS11 Special-Seal is a Self-adhesive surface mounted weather seal made of a flexible extrusion of EPDM Rubber. This weather seal is suitable for domestic and commercial doors or windows. The installation is simple and does not require the door to be removed.

- **Location:** Door and Window jambs.

- **Sealing Gap:** 3mm – 5mm

- **Product Length:** 5 Metres (2x2.5M) (can be cut to desired length).

- **Installation Method:** Self-Adhesive tape on back for direct adhesion. Surface must be smooth, clean, flat and dry.

- **Seal Material:** Molded EPDM Rubber (Brown and White).

